



Zamboni Advertising Opportunity Jubilee Sports Centre

**REQUEST FOR PROPOSAL
NUMBER 2025-01**

Issue Date: February 27, 2025

Introduction

The Town of Rosthern is inviting proposals to design, provide, and install a vinyl wrap advertisement on our Zamboni, located in the Jubilee Sports Centre, 801 2nd Avenue, Rosthern. The Jubilee Sports Centre is home to Rosthern Minor Hockey, Rosthern Valley Renegades U13 Female Team (SFHL), Rosthern Wheatkings Senior Team (TRHL), Northstars and Old Timers recreation hockey teams. Our facility also supports neighboring communities including Warman, Martensville, Duck Lake and One Arrow First Nation. Our Winter season runs from October to March, with Spring Hockey extending our ice operations to mid-May. In addition to practices and games, the Jubilee Sports Centre hosts an average of eighteen (18) tournaments per season that attract visitors from all corners of the province.

Scope of Project

This project consists of the design, procurement, and installation of a vinyl wrap advertisement on the Jubilee Sports Centre Zamboni. The machine is a 1996 Zamboni, model 440. See Appendix A for Machine Line Drawings.

Contract Period

The contract is for a three-year period, commencing September 1, 2025, to August 31, 2028.

Submission

All proponents intending to submit a proposal must complete the application form in Appendix B. Proposals are to be returned by hard copy or electronic means to the address below. Proposals must be received by 4:00 p.m. Tuesday, March 25, 2025.

Request for Proposal – Jubilee Sports Centre Zamboni Advertising Opportunity
Town of Rosthern
c/o Tonya McEachern, Recreation & Community Development Manager
Phone: 306-232-4826
P.O. Box 416
710 Railway Avenue
Rosthern, SK. S0K 3R0
recmanager@rosthern.com

Proponents are encouraged to submit detailed information for consideration. Information shall include, but is not limited to:

1. Advertising fee that would be paid to the Town of Rosthern per season, subject to GST.
2. Details of overall sizes and dimensions of the advertisement.

3. Timeline required for the installation of the advertisement on the Zamboni.
4. Pictures of the proposed advertisement design.

Receipt

Proposals will be received up to the time and date stated. Those received before the due date will be retained unopened until then. It is the responsibility of the proponent to ensure their submission is delivered no later than the appointed time.

Acceptance

By issuing this invitation the Town of Rosthern is not bound in any way and does not have to accept the highest or any proposal and reserves the right to accept or reject a portion of any proposal, unless the proponent expressly stipulates otherwise in their submission. The Town may reissue, amend, cancel or extend this RFP at its sole discretion.

Debriefing

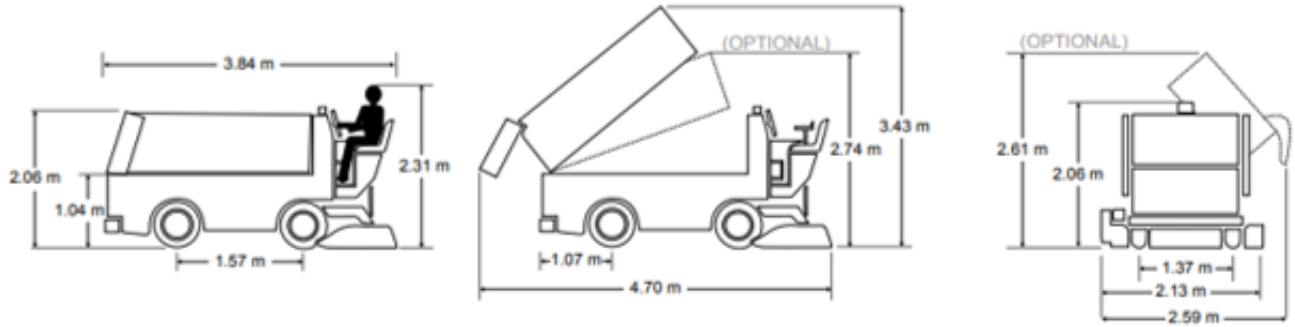
Following the award of contract, feedback will be available to unsuccessful submissions on request.

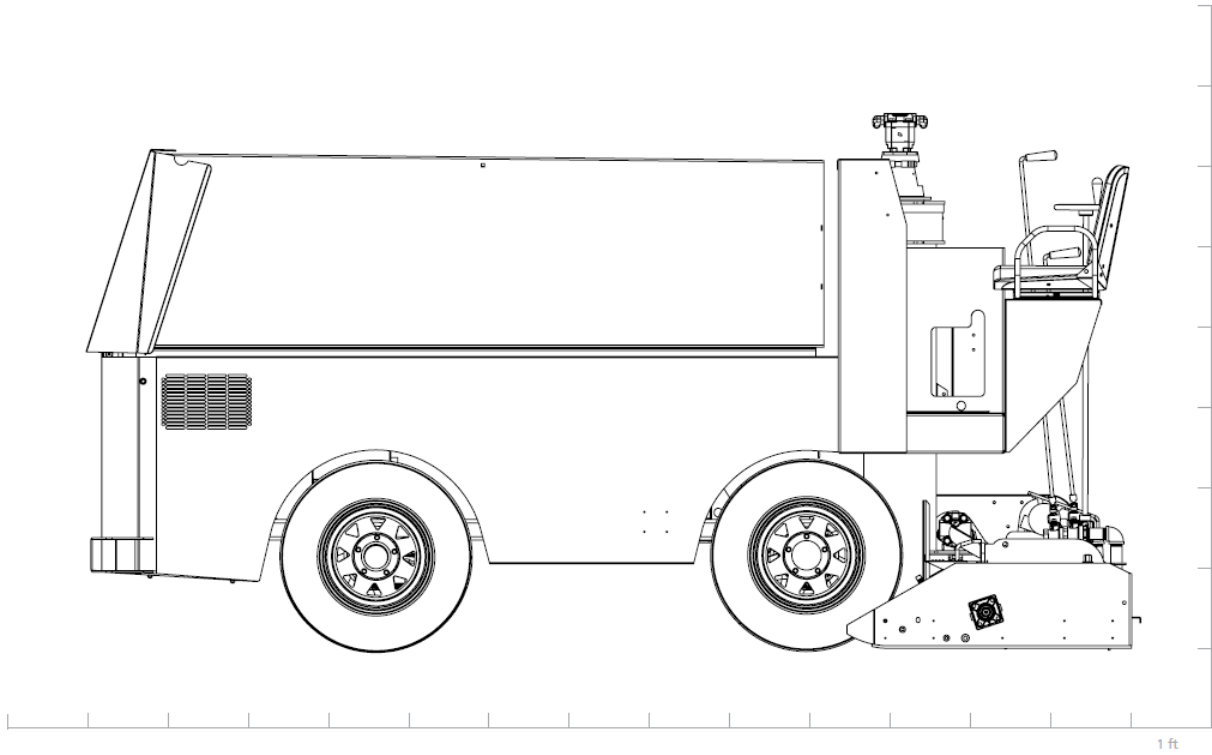
Evaluation Criteria

The principal purpose of tender evaluation is to determine the tender which best meets the requirements of the Town and delivers best value. Submissions will be reviewed on an equal and consistent basis without bias. Any reasons for rejection will be documented to clearly demonstrate that the evaluation was properly conducted.

Appendix A

Machine Line Drawings



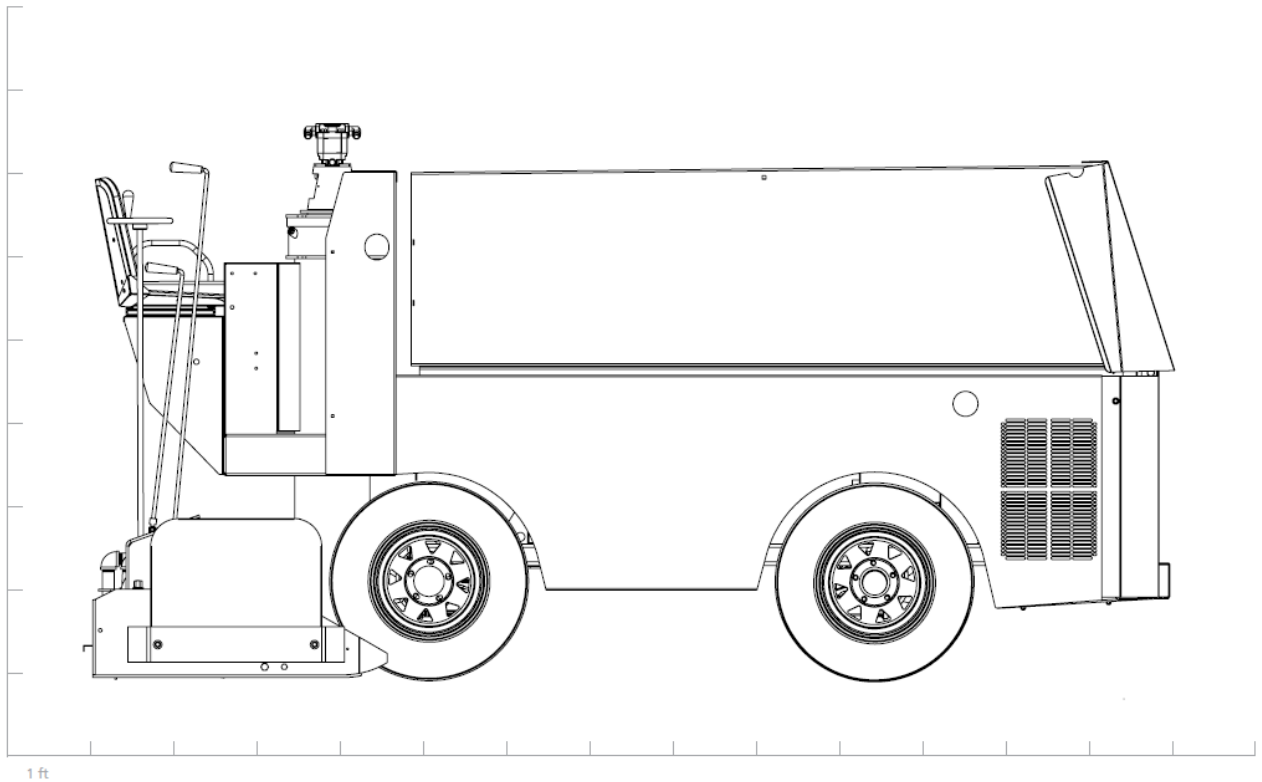


Machine Line Drawings for Reference

ZAMBONI

©Zamboni Company. ZAMBONI and the configuration of the Zamboni® ice resurfacing machine are registered trademarks of Frank J. Zamboni & Co., Inc.

MODEL 440
MODEL 445
MODEL 446

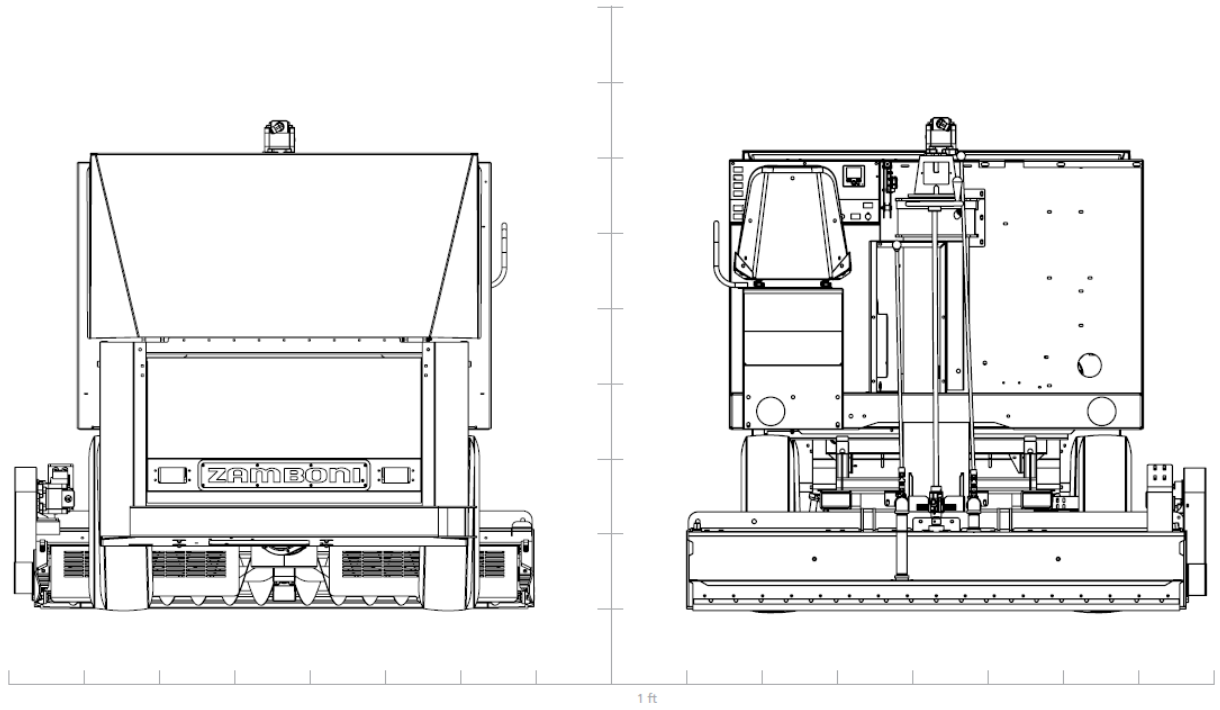


Machine Line Drawings for Reference

ZAMBONI

©Zamboni Company. ZAMBONI and the configuration of the Zamboni® ice resurfacing machine are registered trademarks of Frank J. Zamboni & Co., Inc.

MODEL 440
MODEL 445
MODEL 446

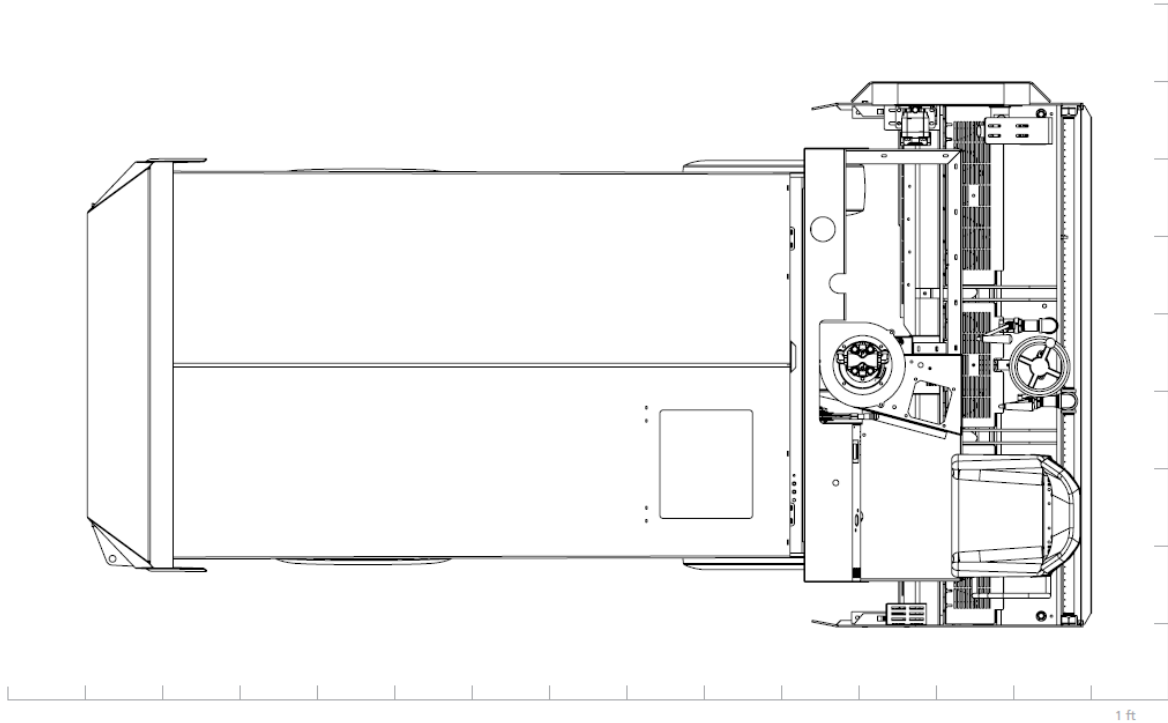


Machine Line Drawings for Reference

ZAMBONI

©Zamboni Company. ZAMBONI and the configuration of the Zamboni® ice resurfacing machine are registered trademarks of Frank J. Zamboni & Co., Inc.

MODEL 440
MODEL 445
MODEL 446



Machine Line Drawings for Reference

ZAMBONI

©Zamboni Company. ZAMBONI and the configuration of the Zamboni® ice resurfacing machine are registered trademarks of Frank J. Zamboni & Co., Inc.

MODEL 440
MODEL 445
MODEL 446

These references should be considered as approximate so for accurate measurements, you should examine and measure the machine you intend to wrap/decals.

Following are some of the notable differences between our 400 series machines:

- seat support assembly
- dash
- vertical auger housing motor mount
- fiberglass lid indents
- fiberglass side covers
- fuel tanks (LPG)

Some machines may have a plow mounting apparatus on the front which may obscure part of the front panel. The engine compartment grill(s) should not be covered with decals as it will cause the engine to overheat. All safety labels should be left uncovered or replaced once the wrap/decals is in place.

Appendix B

Request for Proposal – Zamboni Advertising Opportunity

Proponent Information

Name of Business: _____
Address: _____
Contact Name: _____
Phone Number: _____ Email: _____

Proposal

Annual advertising fee: \$ _____ plus GST.

Have you included the following:

- Proof of the Advertisement.
- Advertisement size and dimensions.
- Timeline for Installation.
- Any supporting documents or additional information.

Applicant Name: _____

Authorized Signature: _____

Date: _____